

PSSHP	Maisa-Sailog interface	Document Number
Document Work Responsible	26.09.2017	Technical Document

Sisällysluettelo

1. **PURPOSE OF THIS DOCUMENT:** 2
2. **FUNCTIONALITY:** 2

Tallennuspaikka ja dokumentin nimi:	BPS Consulting Finland Oy

PSSHP	Maisa-Sailog interface	Document Number
Document Work Responsible	26.09.2017	Technical Document

1. Purpose of this document:

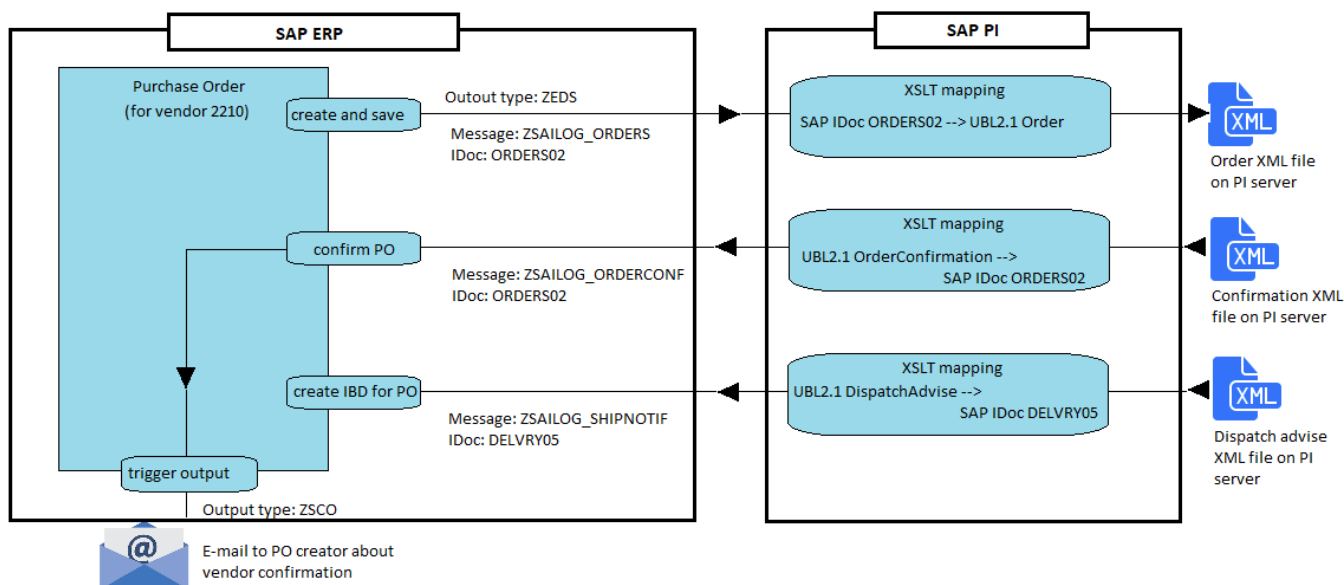
The purpose of this document is to describe the implementation of purchase order, order confirmation and despatch advice messages between Maisa and Sailog EDI channel.

2. Functionality:

Messages from SAP and to SAP are handled with standard IDocs using custom message types. Sailog requires messages in UBL2.1 (XML) format so SAP IDocs need to be converted to the end format. For this conversion SAP PI is used where message mapping happens. PI is also responsible for file handling, it creates outbound PO files and place them to the folder from where Ensemble can pick them up. The incoming files are placed by Ensemble to a folder from where PI can fetch them and send to SAP after UBL2.1 to IDoc conversion.

Since SAP standard functionalities do not fill all business data in the PO IDoc that is required for Sailog, custom functions had to be implemented to distribute proper business data.

Below picture shows the interfaces and the messages involves in Sailog communication.



Tallennuspaikka ja dokumentin nimi:

BPS Consulting Finland Oy